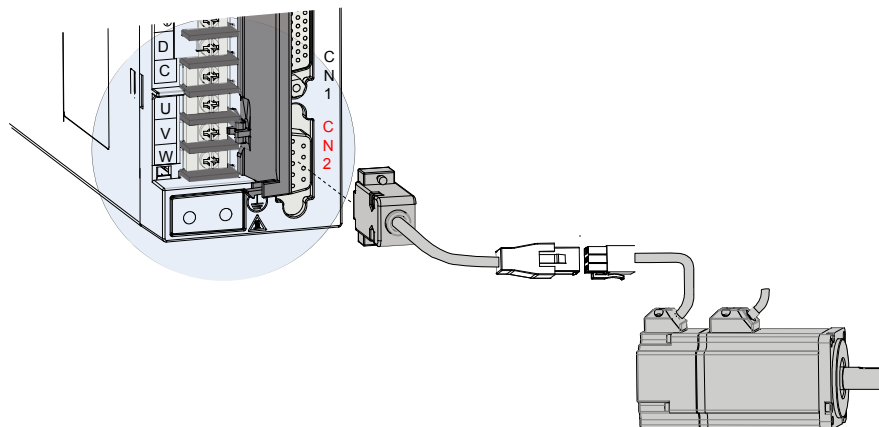


### 3.3 Wiring of Encoder Cables Between Servo Drive and Servo Motor

#### 3.3.1 Connection of Serial Incremental Encoder

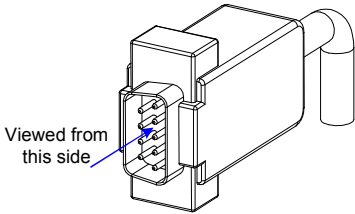
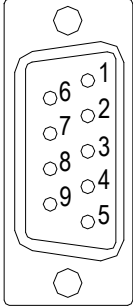
Figure 3-11 Example of connecting encoder signal cables



**Note** The encoder cable colors are subject to the actual. The cable colors mentioned in the manual are all Inovance cables.

3

Table 3-12 Connectors of 20-bit encoder cables on servo drive side

Connector Appearance	Pin Layout												
	<div style="display: flex; align-items: center;">  <table border="1" data-bbox="1129 1267 1385 1496" style="margin-left: 20px;"> <thead> <tr> <th>Pin No.</th> <th>Signal</th> </tr> </thead> <tbody> <tr> <td>1</td> <td>PS+</td> </tr> <tr> <td>2</td> <td>PS-</td> </tr> <tr> <td>7</td> <td>+5V</td> </tr> <tr> <td>8</td> <td>GND</td> </tr> <tr> <td>Housing</td> <td>PE</td> </tr> </tbody> </table> </div> <p data-bbox="663 1581 1390 1695">                     Recommendation:                      Plastic housing of plug on cable side: DB9P (SZTDK), black housing                      Core: DB9P soldering plug (SZTDK), blue glue                 </p>	Pin No.	Signal	1	PS+	2	PS-	7	+5V	8	GND	Housing	PE
Pin No.	Signal												
1	PS+												
2	PS-												
7	+5V												
8	GND												
Housing	PE												